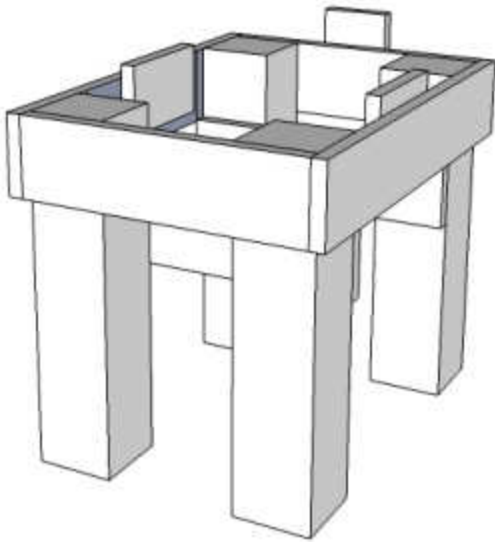


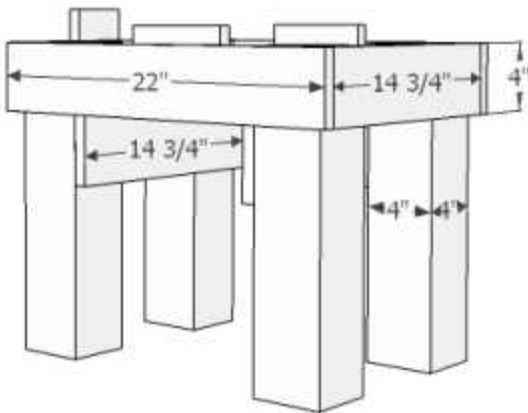
BEE HIVE STAND

SIZED FOR LANGSTROTH 10 FRAME BEE HIVE

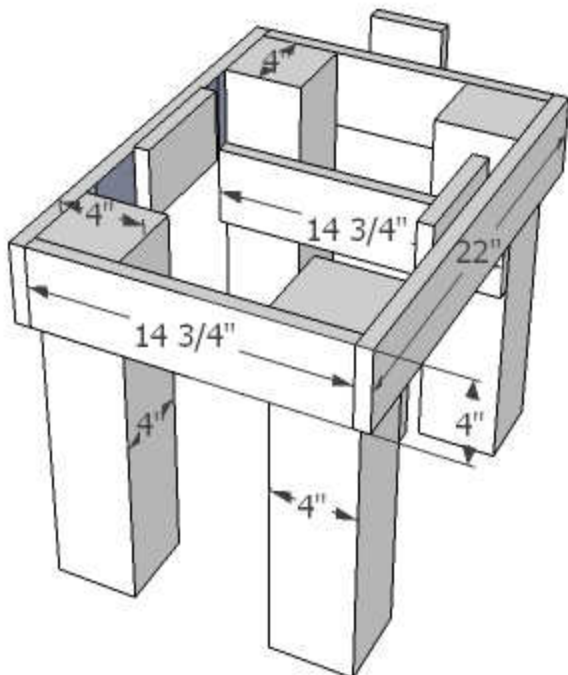


MATERIALS LIST

- (2) 22" x 4" x 3/4" BOARDS
 - (4) 14 3/4" x 4" x 3/4" BOARDS
 - (4) 4" x 4" x 16" BOARDS *
 - (2) 4" x 4" x 3/4" BOARDS
 - (1) 6" x 4" x 3/4" BOARD
 - (8) 1/2" x 3" Lag Bolts and Washers **
- * optional 20" length if cementing legs into ground
**optional use of exterior deck screws



The purpose of the short boards on the inner sides and back of the stand that protrude above the top of the platform are to assist the bottom board in stabilization and prevent it from moving left/right or backwards.



If high winds or large animals are a threat to your hive, you may opt to have the legs of the stand 20" tall and use a 4" concrete footings to secure the stand.

Use lag bolts to secure the front, back and sides of the hive to the legs of the stand. Optionally, you can use exterior deck screws.